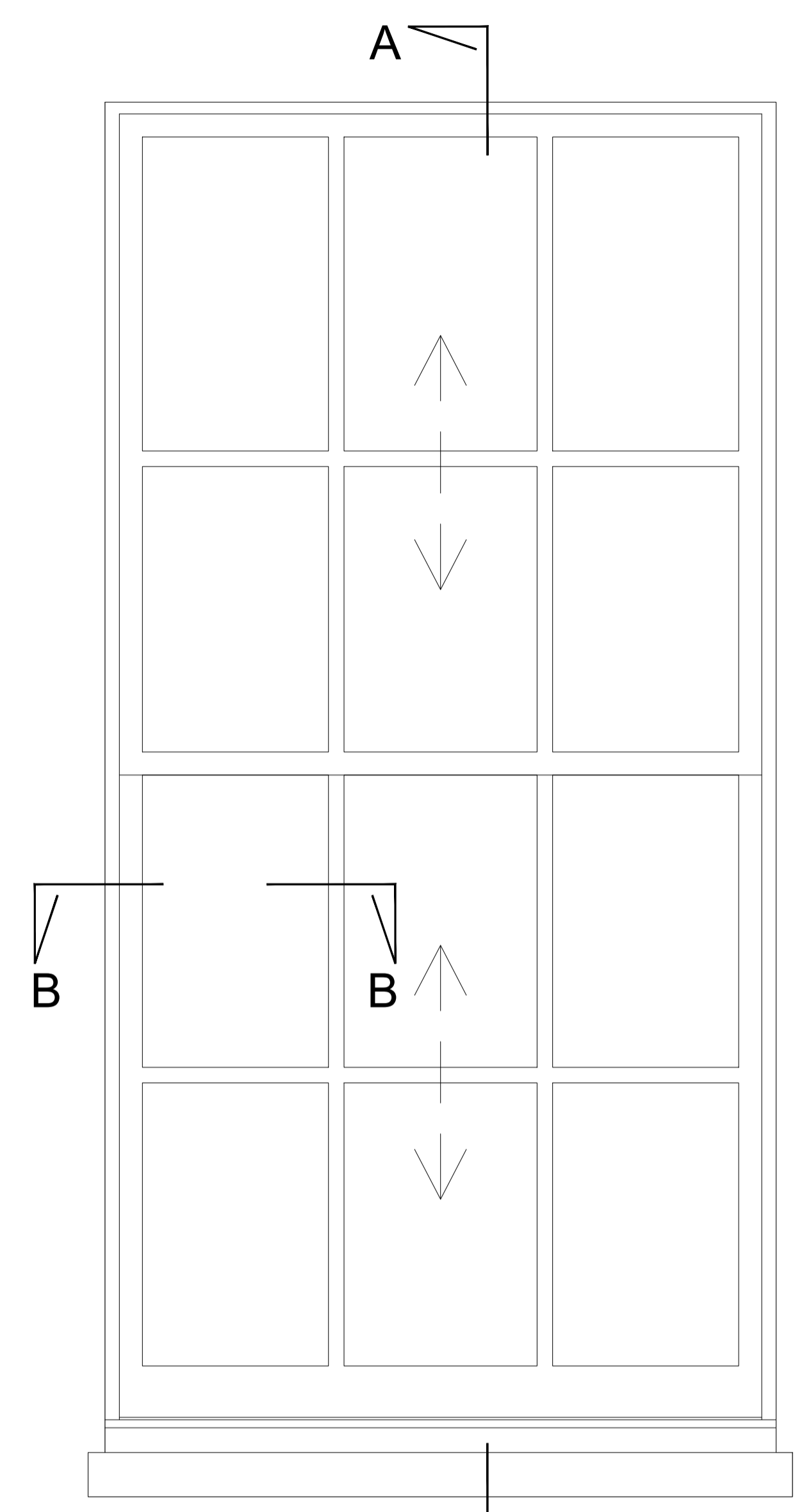
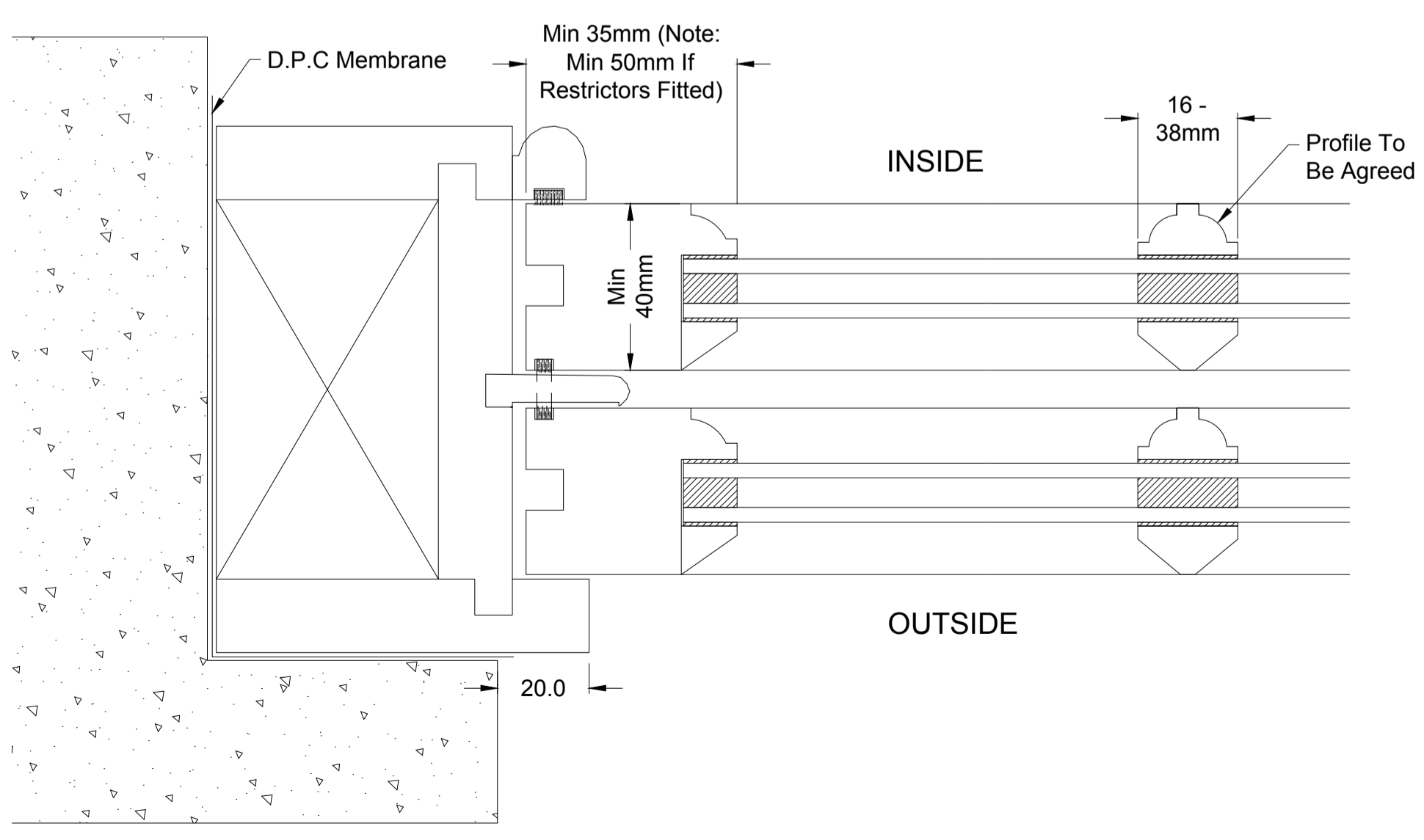
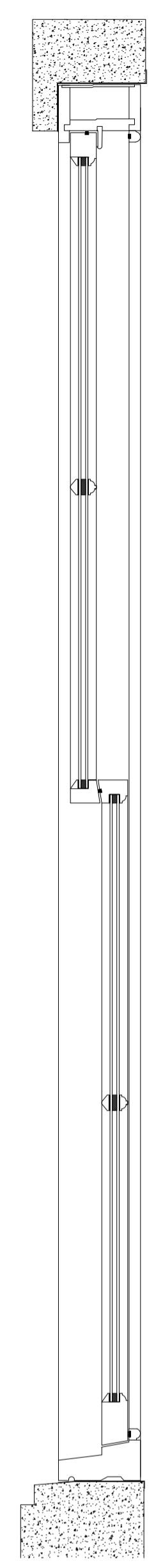


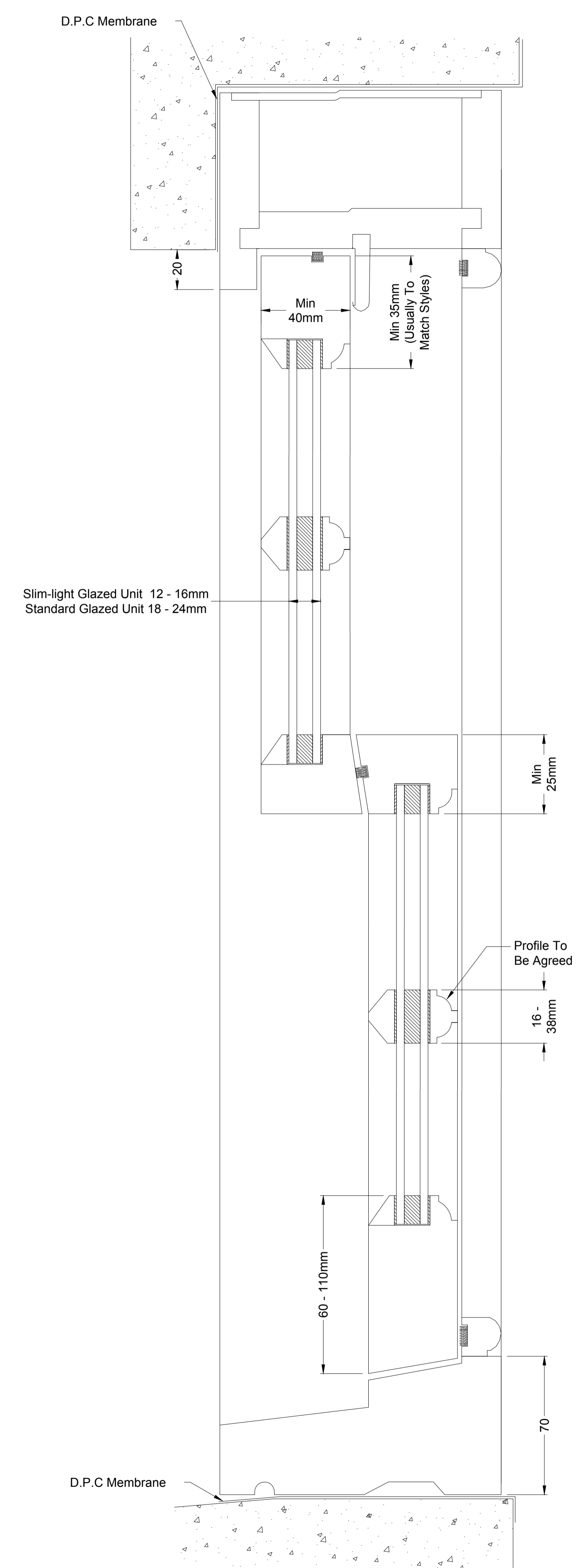
NOTE:



1 TYPICAL ELEVATION  
External View  
Scale - NTS



3 SASH BOX CROSS SECTION (B-B)  
Scale - NTS



2 TYPICAL SECTION A-A  
Scale - NTS

REV.	DATE	DESCRIPTION	BY
B	13/12/22	MIN THICKNESS ADDED	SB
A	11/04/18	PRELIMINARY ISSUE	SB

Copyright and other intellectual property rights in this document and all related documents, drawings, etc. including variations, is reserved to SDC and cannot be used or reproduced for any other purpose than that for which they have been created without the express permission in writing by SDC.

**SASH WINDOW CONSERVATION** Unit 3-4  
Honeycrest Industrial Park,  
Lodge Road, Staplehurst,  
Kent TN12 0RX  
Tel: 01580-893933 Fax: 01580-893838

PROJECT TITLE: Typical Details  
SIC: FAX 01580 893838

DRAWING TITLE			
Double Glazed Astragal Sash Window Sections & Elevation			
Scale	Drawn	Date	Size
AS SHOWN	SB	11/04/18	A1
Designed	Checked	Approved	Date
Customer Ref	Our Ref		