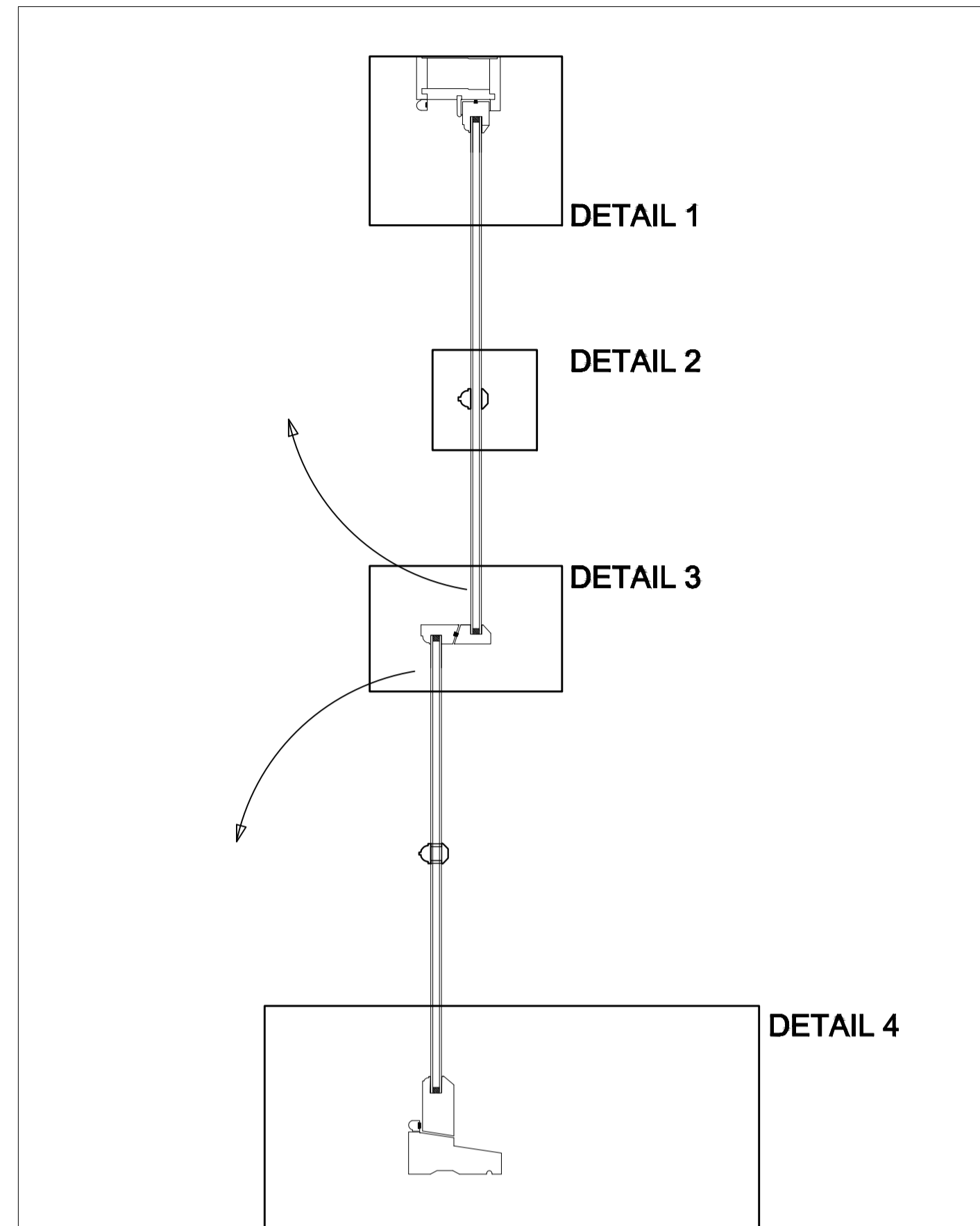
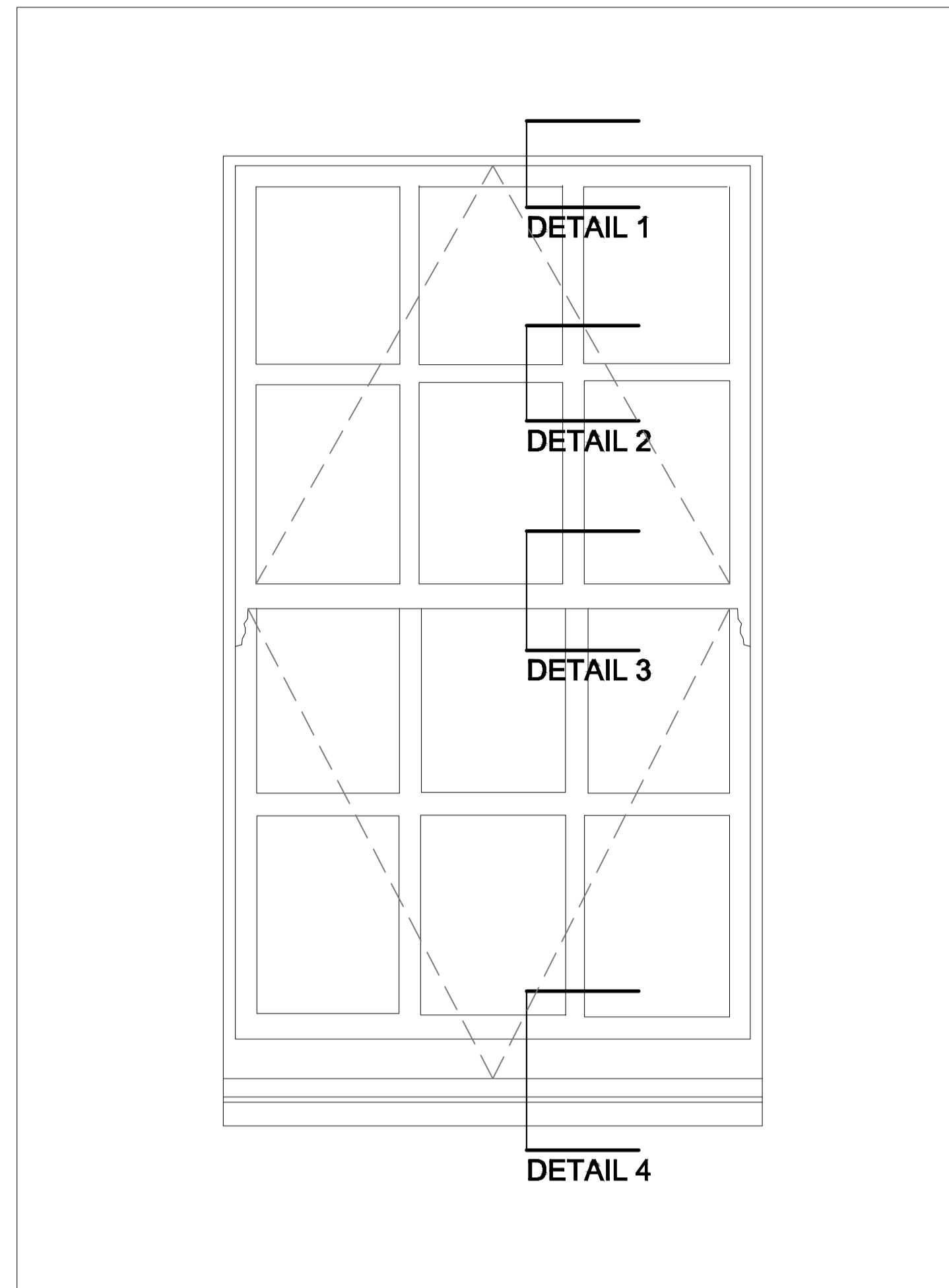


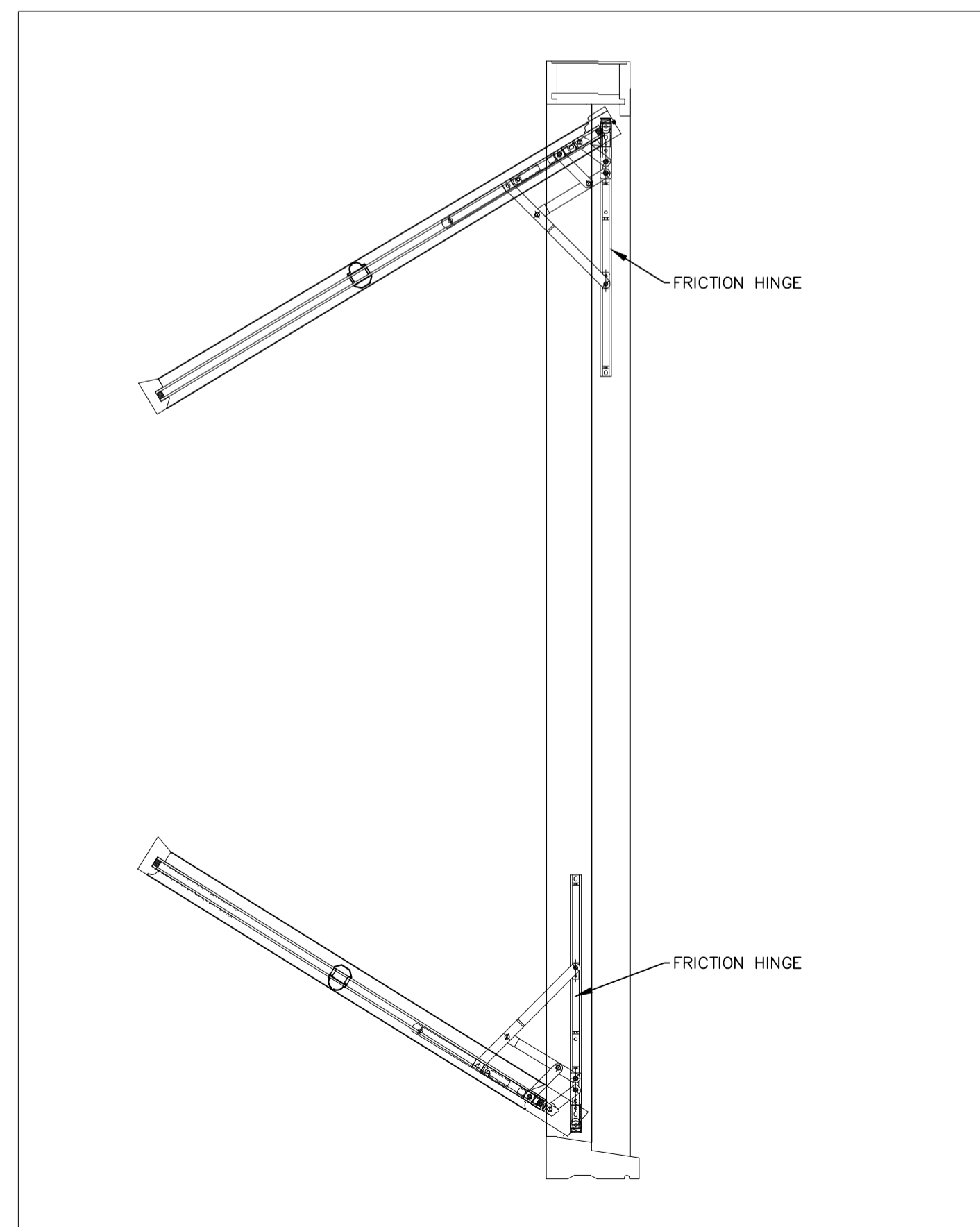
NOTE:
Sash fastened with 2no. latches to side of the bottom sash and 1no. Brighton catch on the mid rail



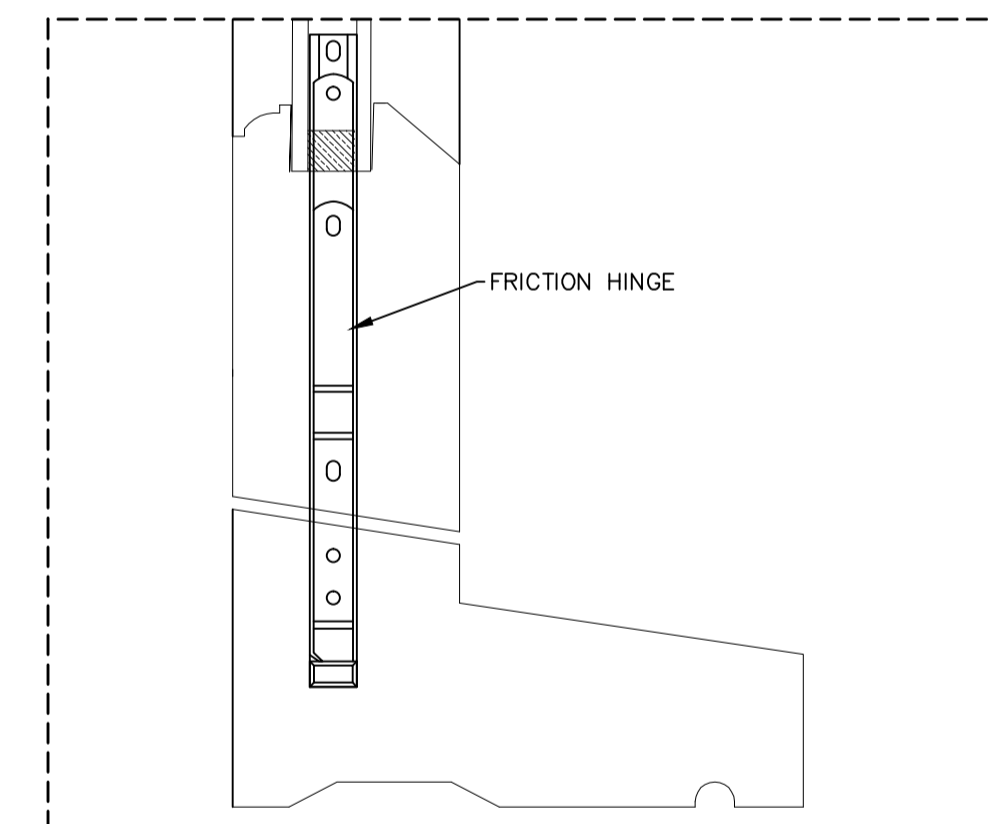
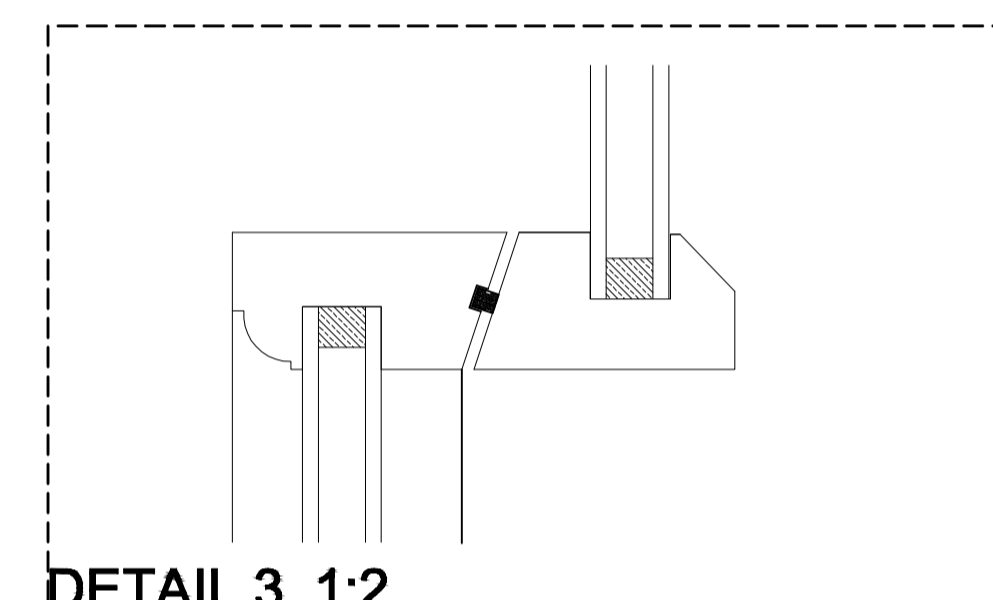
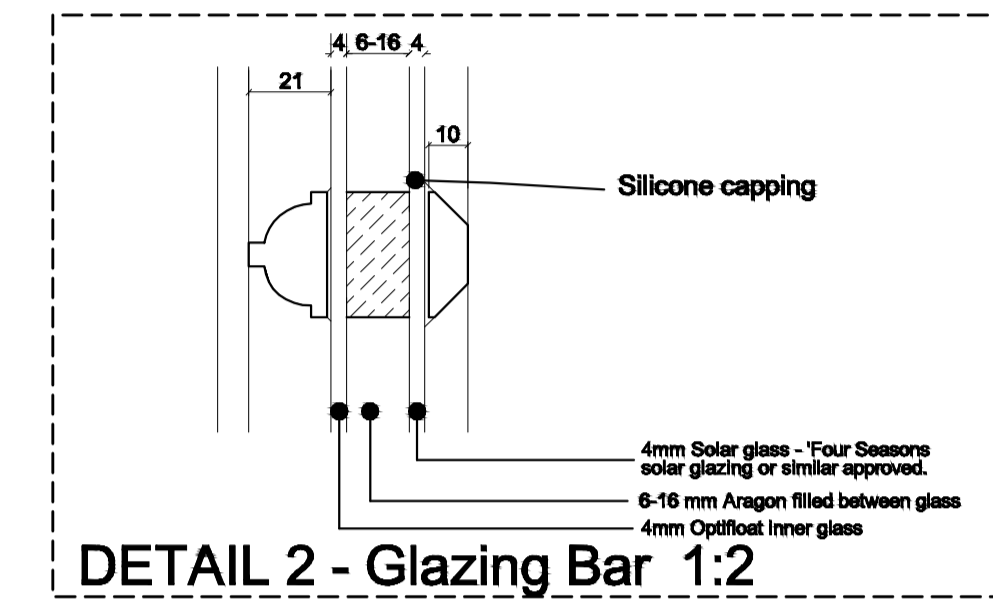
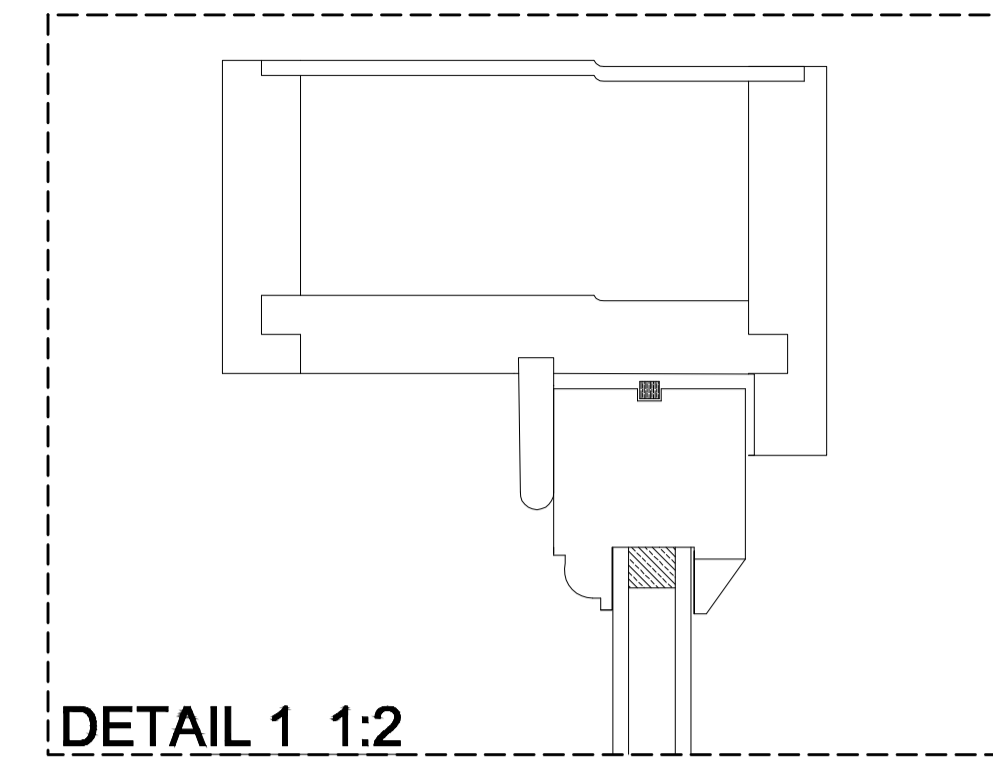
TYPICAL SECTION N.T.S



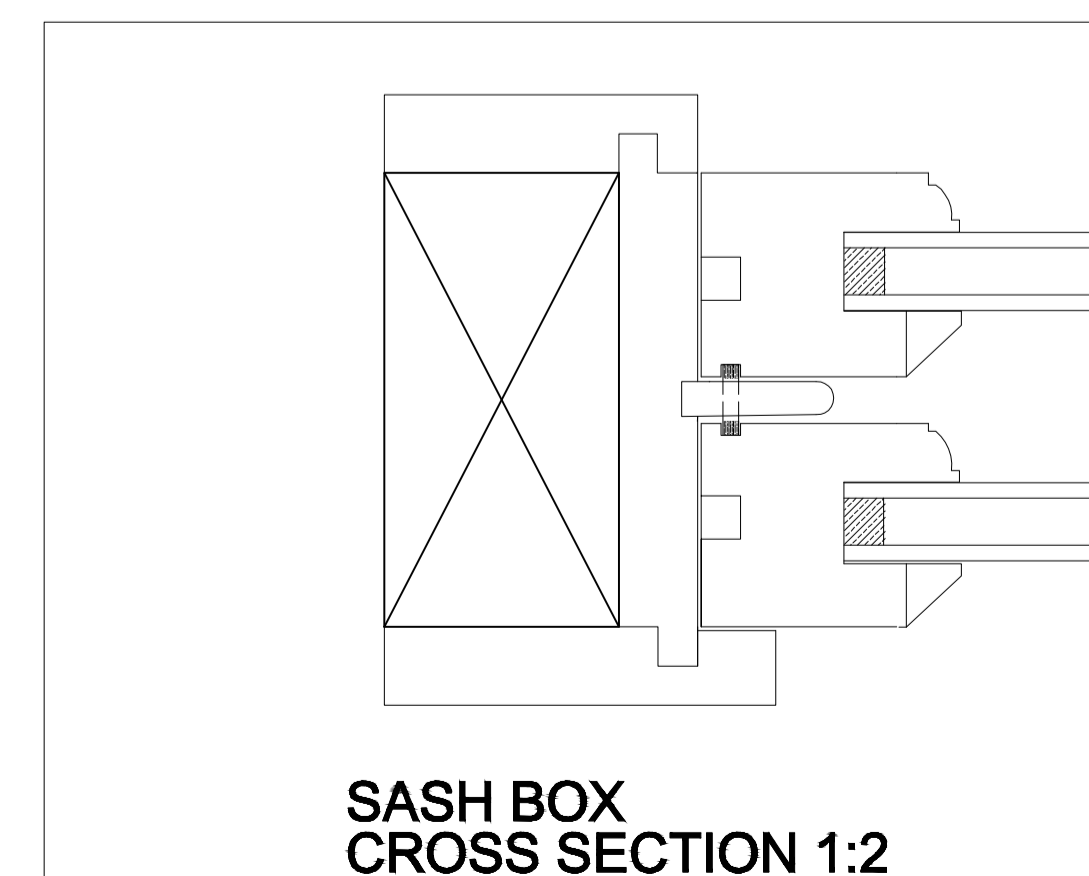
TYPICAL ELEVATION N.T.S



TYPICAL SECTION Shown in open position



DETAIL 4 1:2



SASH BOX CROSS SECTION 1:2

REV.	DATE	DESCRIPTION	BY
A		As Drawn For Approval	SB

Copyright and other intellectual property rights in this document and all related documents, drawings, etc., including calculations, is invested in PAC D+D and cannot be used or reproduced for any other purpose than that for which they have been created without the express permission in writing by PAC D+D

SASH WINDOW CONSERVATION
Unit 4 Honeycrest Ind Park
Lodge Road
Staplehurst
Kent TN12

TEL 01580 893933 FAX 01580 893938

PROJECT TITLE
SITE

DRAWING TITLE
Standard
Double Glazed Inward
Opening Friction Hinge
Sash Window

Scale	Drawn	Date	Size
As Shown	SB	05/07/16	A1
Designed	Checked	Approved	Date
Customer Ref	Our Ref		