



SASH WINDOW CONSERVATION



**Your existing Sash Windows
without Draughts, Rattles, Jamming or Noise**



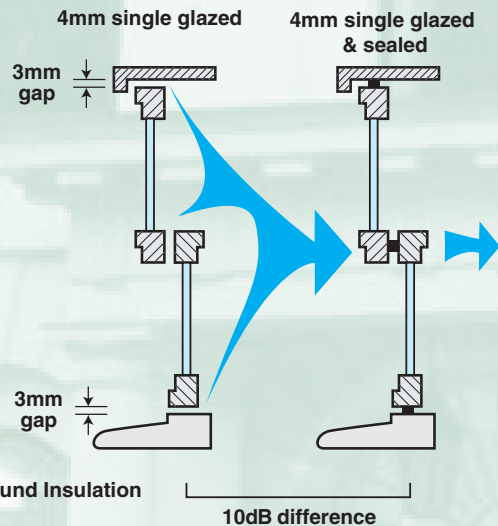
Traditional Sash Windows

The Sash Window has been around for 250 years and performs a wonderful job enhancing the architectural integrity and beauty of historic buildings. However to allow the moving parts to slide your sash window requires a 3mm gap around the perimeter which is the equivalent to a 15cm diameter hole. This hole is per window not per room – very draughty. Sash Window Conservation's unique draught proofing system seals the gaps between the moving parts of the window dramatically reducing heat loss and draughts. This allows you to keep your original windows and enjoy a previously unobtainable level of thermal performance and comfort.

We employ skilled craftsmen who are dedicated to the conservation of wooden windows. Wherever possible we aim to repair rather than replace as in most cases the original timbers are of a higher quality than the modern equivalent. We are a refurbishment company dedicated to the conservation of wooden windows and committed to maintaining or restoring the original facades of our historic buildings.

Sound Reduction

A window with an opening of any kind needs an efficient seal to reduce noise levels. Sash windows ideally need a gap of 3mm in order to operate correctly. This means that in an average size window the air gap would amount to 1% of the total window area. BS 8233 indicates that a gap of 1% would double the sound ingress. Our sealing system eliminates the air gap and would therefore achieve a 10dB improvement in sound insulation, equivalent to a 50% reduction in noise ingress.



The installation of a double glazed 4/12/4 unit does not reduce noise levels and in some circumstances increases noise. (Data available)

Our surveyors are constantly working with both architects and contractors developing solutions and specifications to the inherent problems associated with neglected windows.

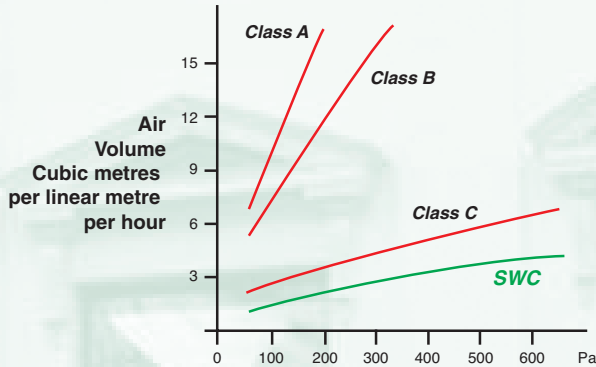
We offer a full survey and reporting service. Our aim is to bring the windows up to the standards required for modern day life.

Sash Window Conservation Ltd brush seals conform to BS6375 and BS7368, the British Standard for draught proofing new and existing windows. This ensures that your timber windows, after renovation, will perform as well as any modern equivalents.

Air Flow

The diagram below shows that our sealing system exceeds the highest classification of BS6375 Part 1(1989). This standard is used to determine air infiltration of new windows.

The gaps in an average sash window equates to a square area of 145mm x 145mm, therefore installing a sealing system is particularly significant in the control of airflow and the elimination of draughts.



Window Conservation and Restoration

Wooden sash windows are part of our heritage and enhance the architectural integrity of historic buildings. To maintain their original appearance we offer the services of our “in house” joinery company. We are able to manufacture bespoke sashes and complete sash windows to exactly-match the existing and retain the character of historic buildings. The benefits of double glazing are also not neglected as all our bespoke windows and some existing can be specified with the latest sealed units to achieve a ‘U’ value of 2.0 or less. Double glazed windows can be specified with individual glass units or astragal glazing.

However, if replacement is not suitable we also offer a restoration service to ensure that the authenticity of the building is maintained. Windows can be returned to our joinery shop and dismantled into their original components. Each is assessed for its long term viability and recommendations are made for their restoration. Whole components can be replaced or just a specific area where the timber has rotted away. Repairs are made with suitable timber and traditional methods to ensure the maximum amount of the original window is preserved.

The Facts

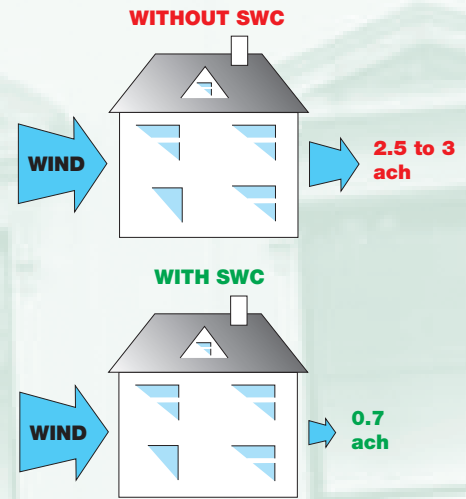
What are the benefits?

- Virtually eliminates all draughts
- Stops annoying rattles
- Cuts noise by up to 50%
- Keeps most dirt, insects and fumes out
- Easy opening and closing
- Warmer, with fuel savings and reduce CO₂
- Craftsman renovated
- Wooden parting bead
- Approved for Grade I and II listed buildings
- Restoration service

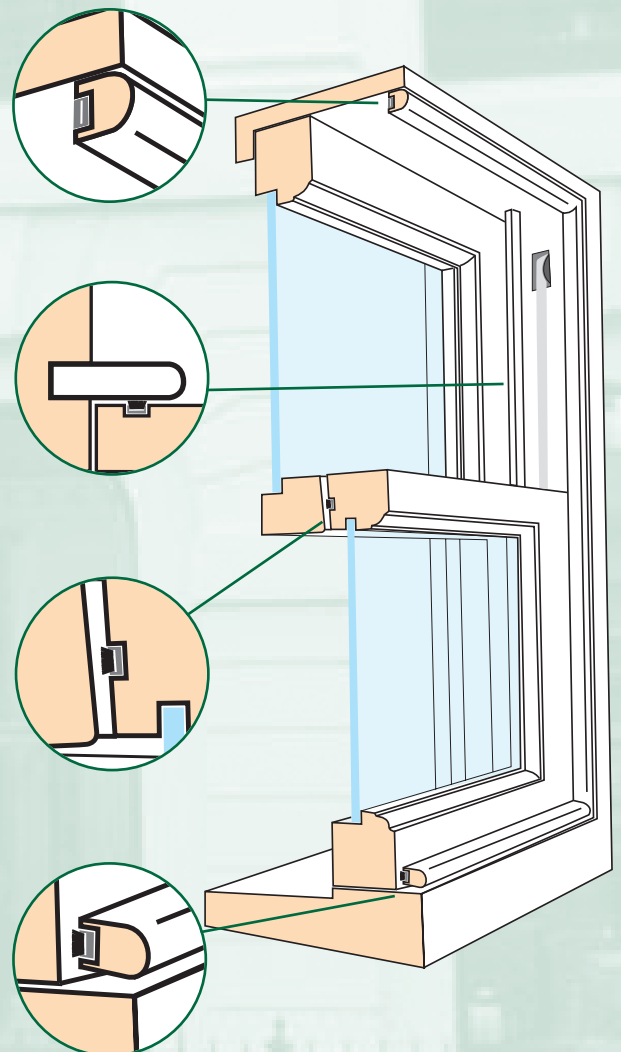
Energy Reduction and Environment

Our sealing system achieves the equivalent comforts of double-glazing (see Air Flow section) while it also achieves 85% of the energy savings. The energy saving made by sealing gaps is significantly greater than the saving achieved by the reduction in the ‘U’ value of the glass.

AIR CHANGES PER HOUR (ach)



While air changes in a house in an exposed area could change between 2.5-3.0 per hour our perimeter sealing system will reduce this to 0.7 per hour giving greater comfort levels and a large reduction in energy costs.



Sash Window Joinery Limited

Our own joinery shop now installed at its new location in Staplehurst



Make an appointment and visit. Our craftsmen are always ready to discuss your requirements

For a Free No Obligation Survey, call us now.



01580 893933

www.sashwindowconservation.com